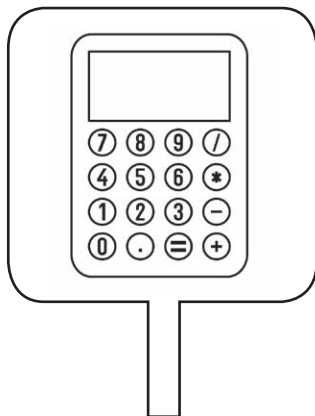
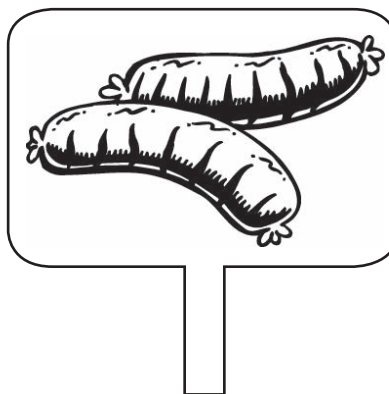
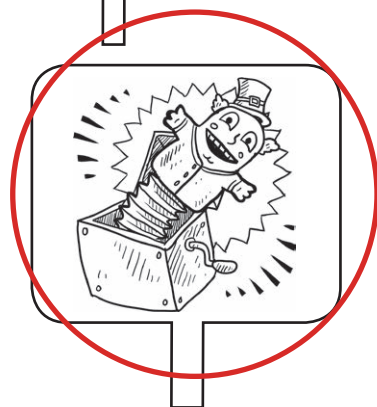
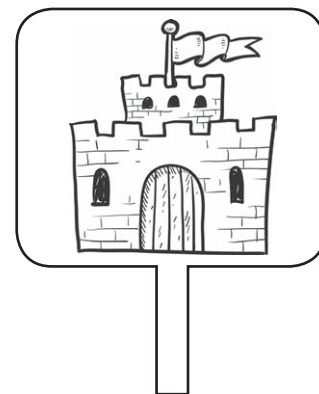
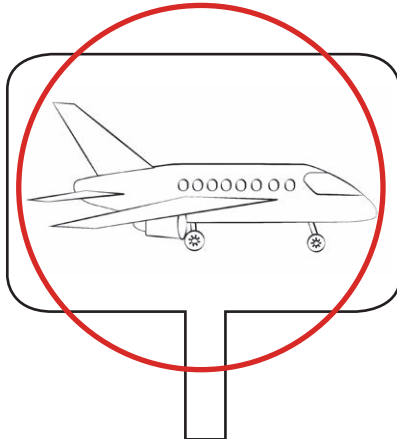
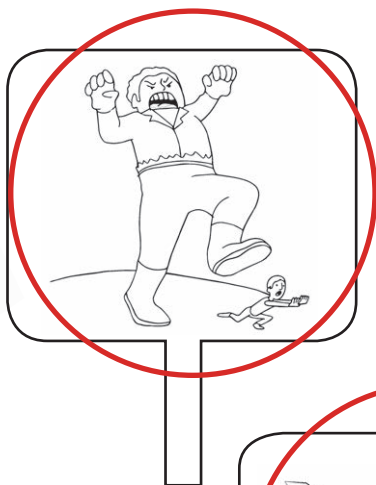




# Initial sound 'j'



Help Jill get to the gym!  
Find the path by coloring the street signs orange if you hear a 'j' sound at the start of the picture name.



☆ Name \_\_\_\_\_ ☆ Date \_\_\_\_\_



# Initial sound 'j'

2

Complete the words.  
Match each word to its picture by drawing a line.



-j-ewel

-j-am

-j-acket

-j-ump

-j-uice

-j-uggle

-j-ail

-j-ungle

